

- NOTES
1. DOOR FRAME TO BE STEEL, OF MIN 5mm THICKNESS TO ACCEPT M8 FIXING BOLTS, AND TAKE WEIGHT OF DOOR (approx 20kg/m²).
 2. ALL INSIDE SURFACES OF THE FRAME TO BE MIN 150mm, HEADER AND JAMBS TO BE FLUSH AND FREE FROM ANY PROJECTIONS.
 3. TOP TRACK IS ONLY USED AS GUIDE. THE DOOR IS SIDE-HUNG AND THE WEIGHT IS SUPPORTED AT THE JAMB HINGES.
 4. THE FLOOR MUST BE LOWER THAN OR LEVEL WITH THE THRESHOLD IN THE FOLDING AREA MARKED ***** TO ALLOW LEAVES TO OPEN EASILY.

NUMBER OF DOORS LH (AS DRAWN) RH

HANDING LH (AS DRAWN) RH

FINISH (specify material and colour)

EXTERNAL SKIN:

INTERNAL SKIN:

OPTIONS (please tick or indicate qty reqd)

- VISION PANELS - SEE GLAZING LAYOUT DRAWING
- 680X390 PLASTIC EASIFIT
- 400X600 ALUMINIUM FRAME
- 400X1200 ALUMINIUM FRAME
- 600X600 ALUMINIUM FRAME
- 600X1200 ALUMINIUM FRAME
- 600X1200 ALUMINIUM FRAME
- WICKET DOOR (in panel 3 only)
- STANDARD LEVER HARDWARE
- EMERGENCY ESCAPE FURNITURE

- LOCKING and HANDLES
- ESPAGNOLETTE BOLT BETWEEN LEAVES 1&2
 - ACTIVE LEAF HARDWARE
 - HEWI LEVER FURNITURE AND SASHLOOK
 - ESPAGNOLETTE BOLT

- THRESHOLD PLATE
- NONE - (NOT RECOMMENDED)

- SURROUND FRAME
- 150 x 75 FSA REAR MOUNTED FRAME
 - 200 x 100 RHS BETWEEN WALL FRAME
 - OTHER - PLEASE SPECIFY

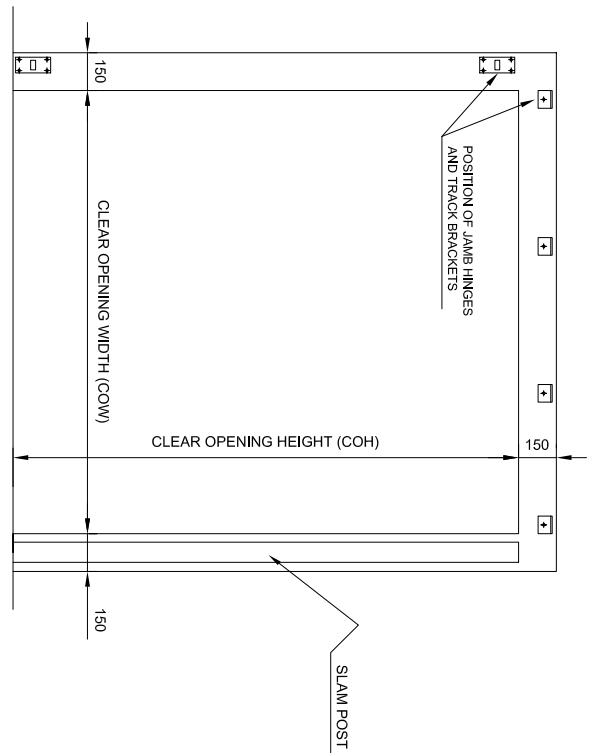
SITE DETAILS

OPENING / DOOR REF.

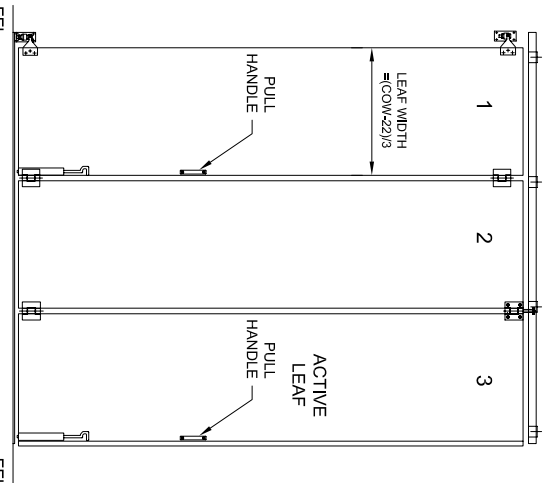
DATE

DRAWING No. SWT30M-5004

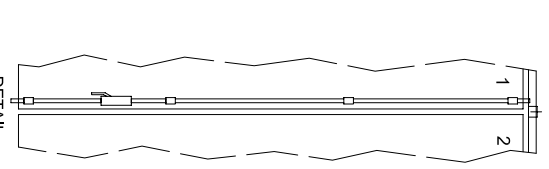
DRAWN BY



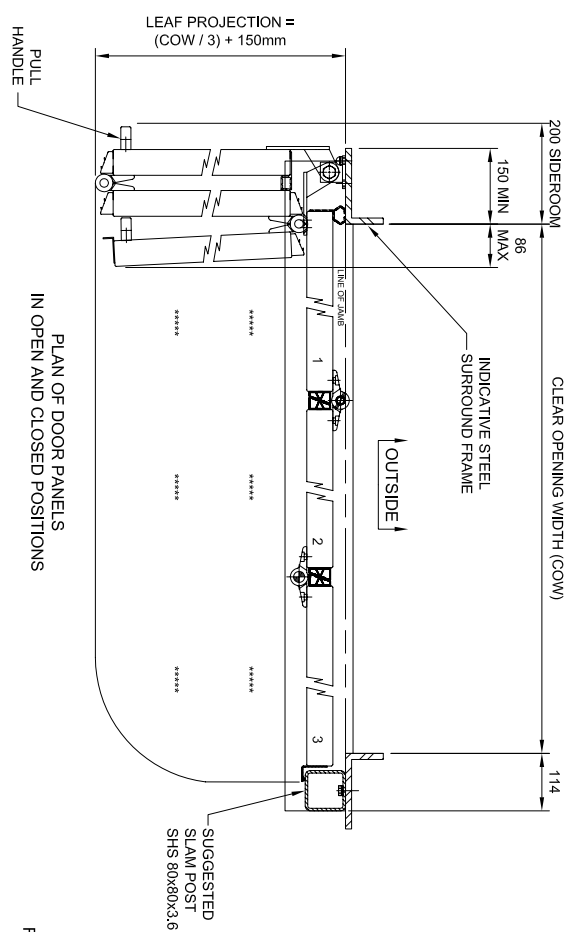
ELEVATION SHOWING INSIDE FACE OF STEEL DOOR FRAME



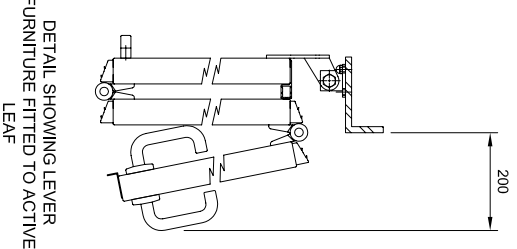
INTERNAL ELEVATION SHOWING STANDARD HARDWARE OPTIONS



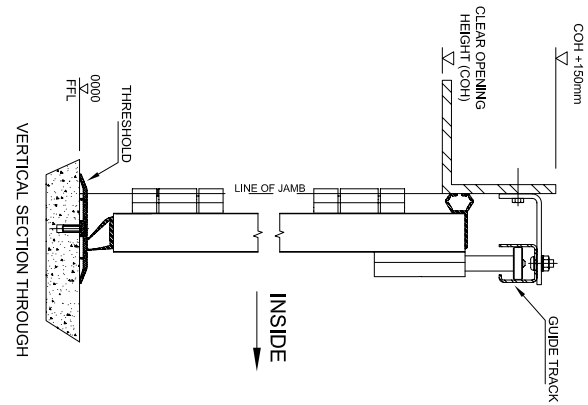
DETAIL SHOWING OPTION FOR ESPAGNOLETTE BOLT



PLAN OF DOOR PANELS IN OPEN AND CLOSED POSITIONS



DETAIL SHOWING LEVER FURNITURE FITTED TO ACTIVE LEAF



VERTICAL SECTION THROUGH

MAX OPENING SIZES		
UP TO 2650mm WIDE	UP TO 2700mm WIDE	UP TO 2650mm WIDE
MAX 3000mm HIGH	MAX 4000mm HIGH	MAX 4800mm HIGH

SWIFT3+0 LEAF, MANUALLY OPERATED