

Swift SEW

Bi-Folding Door

NOTES

1. HEAD BEAM MUST BE SUITABLE TO ACCEPT M12 FIXING BOLTS AND DESIGNED TO WITHSTAND UP TO 1.5KN / M OF TORQUE AND JAMB POSTS AND 2.4 KN / M OF TORQUE AT HEAD BEAM
2. INSIDE SURFACE OF HEAD BEAM TO BE MINIMUM OF 200mm HIGH + 300mm HIGH GUSSETED PLATE AT CENTRE
3. FLOOR MUST BE LOWER THAN THE THRESHOLD IN THE FOLDING AREA MARKED ***** TO ALLOW LEAVES TO OPEN FREELY.

NUMBER OF DOORS

FINISH (specify material and colour)

EXTERNAL SKIN:

INTERNAL SKIN:

OPTIONS (please tick or indicate qty reqd)

VISION PANELS - SEE GLAZING LAYOUT DRAWING

- 400x600 ALUMINIUM FRAME
- 400x1200 ALUMINIUM FRAME
- 600x600 ALUMINIUM FRAME
- 600x1200 ALUMINIUM FRAME

WICKET DOOR (indicate in which panel)

- STANDARD LEVER HARDWARE*
- EMERGENCY ESCAPE FURNITURE*

LOCKING - for each pair of leaves

- LEVER OPERATED FLOOR BOLT*
- SOLENOID DROP BOLTS

(BETWEEN LEAVES 1 & 2)

CONTROLS

- EXTRA PUSH BUTTON
- AUTO TIMED RETURN
- SINGLE PUSH OPEN / CLOSE
- MICROWAVE SENSOR - INSIDE
- KEYSWITCH
- RADIO CONTROL

SAFETY EQUIPMENT

- SAFETY EDGE
- TRAFFIC LIGHT
- PHOTOCELL

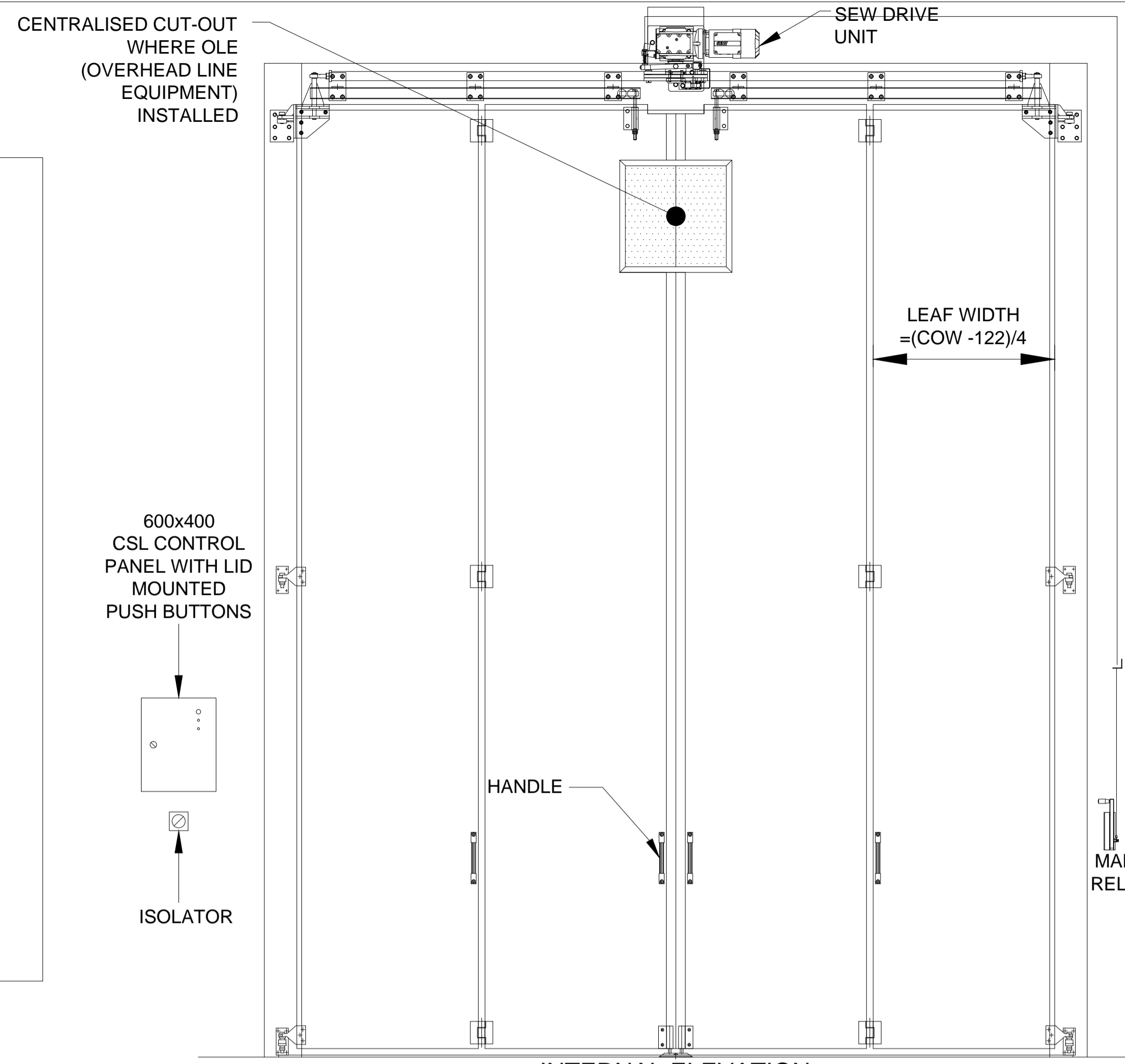
* NOTE - WICKET DOORS AND FLOOR BOLTS WILL BE FITTED WITH AN ELECTRICAL INTERLOCK

SITE DETAILS

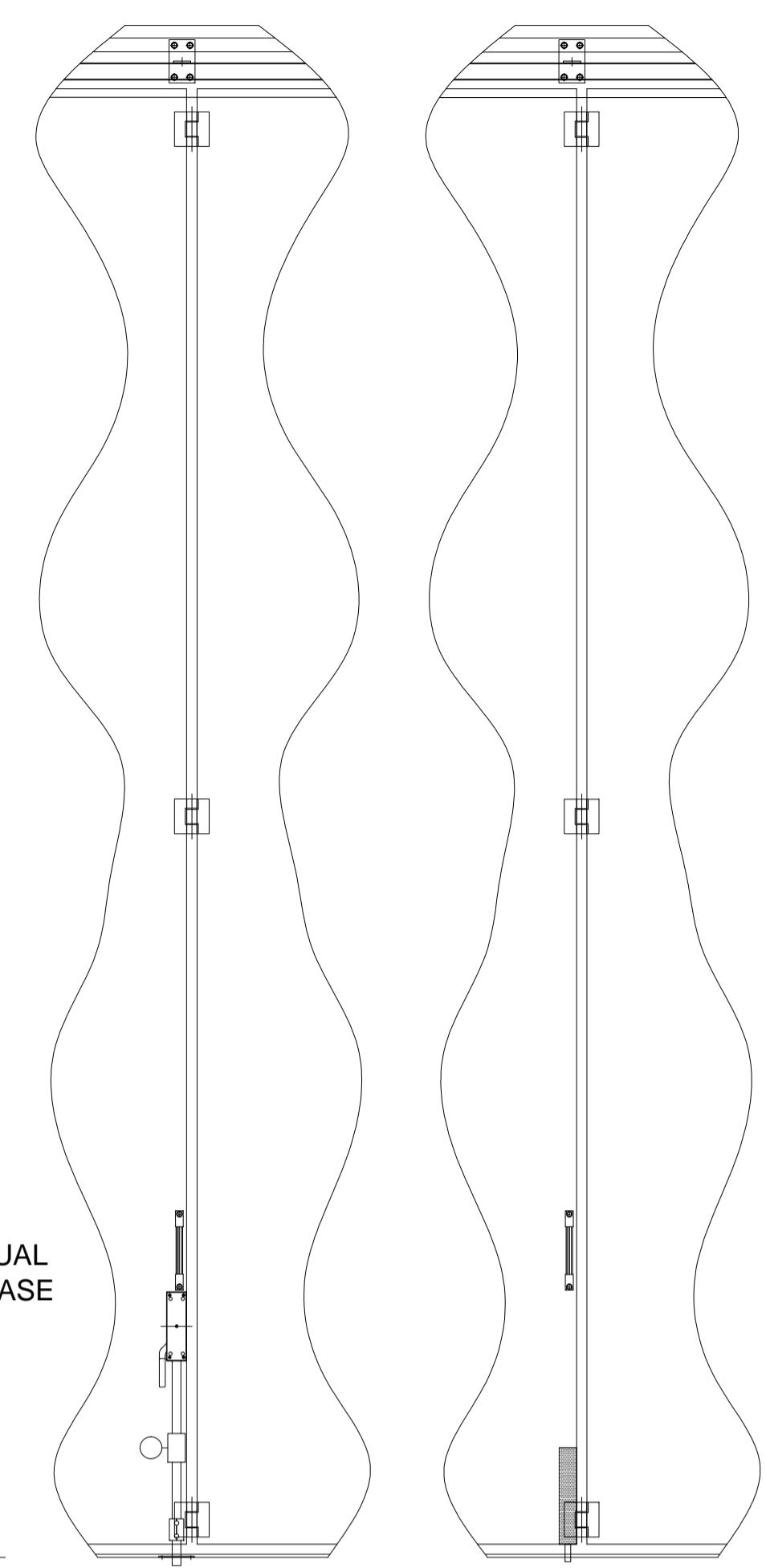
DOOR REFERENCE

DATE DRAWN BY

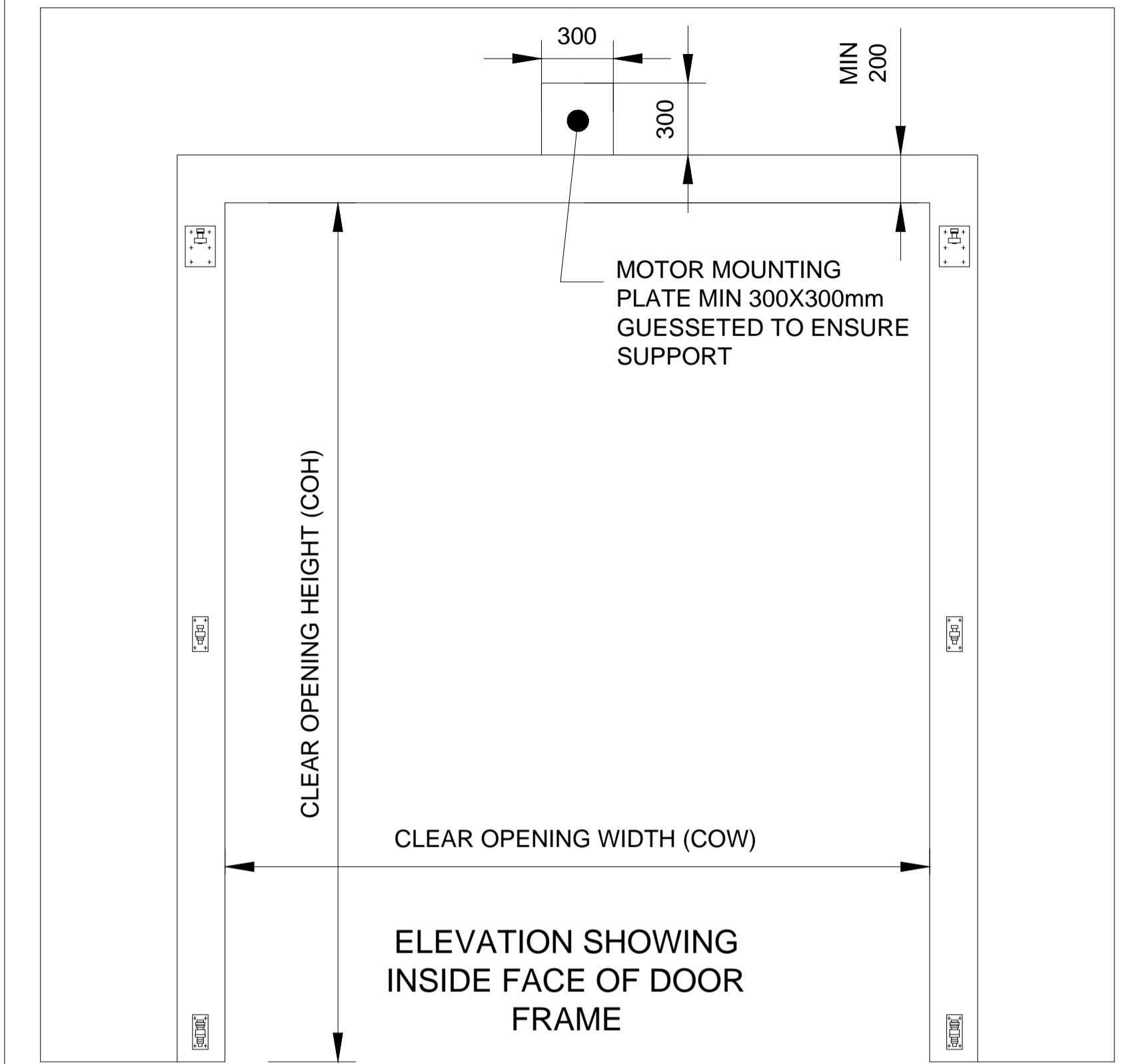
DRAWING No. SWT-SEW-5010



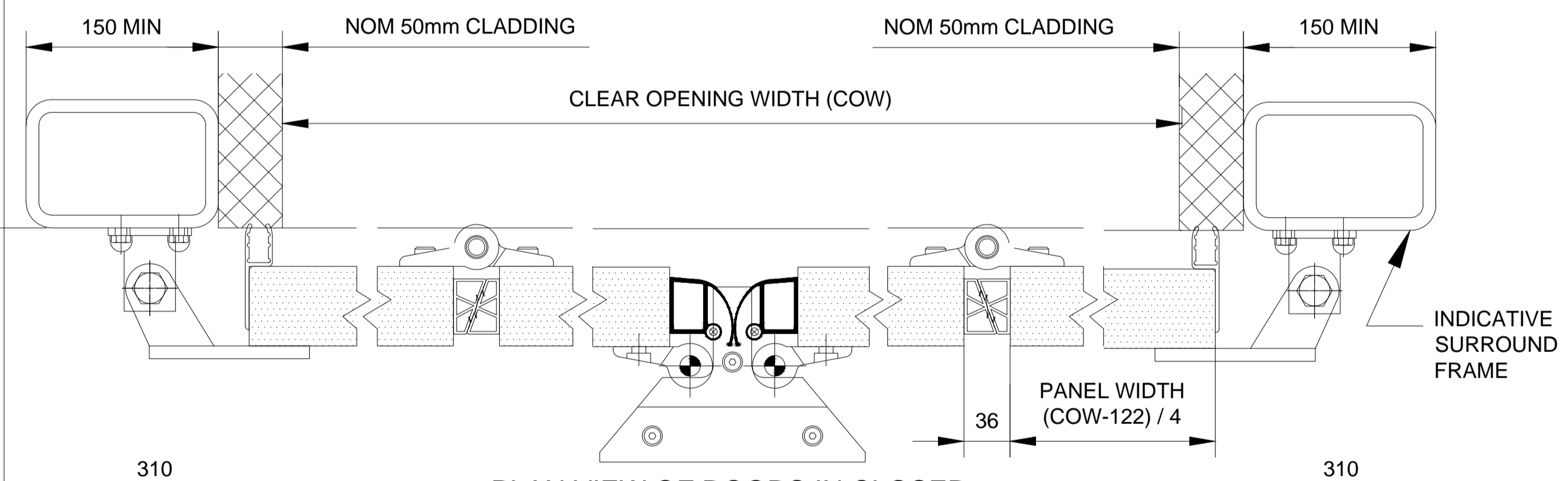
INTERNAL ELEVATION SHOWING STD HARDWARE OPTIONS



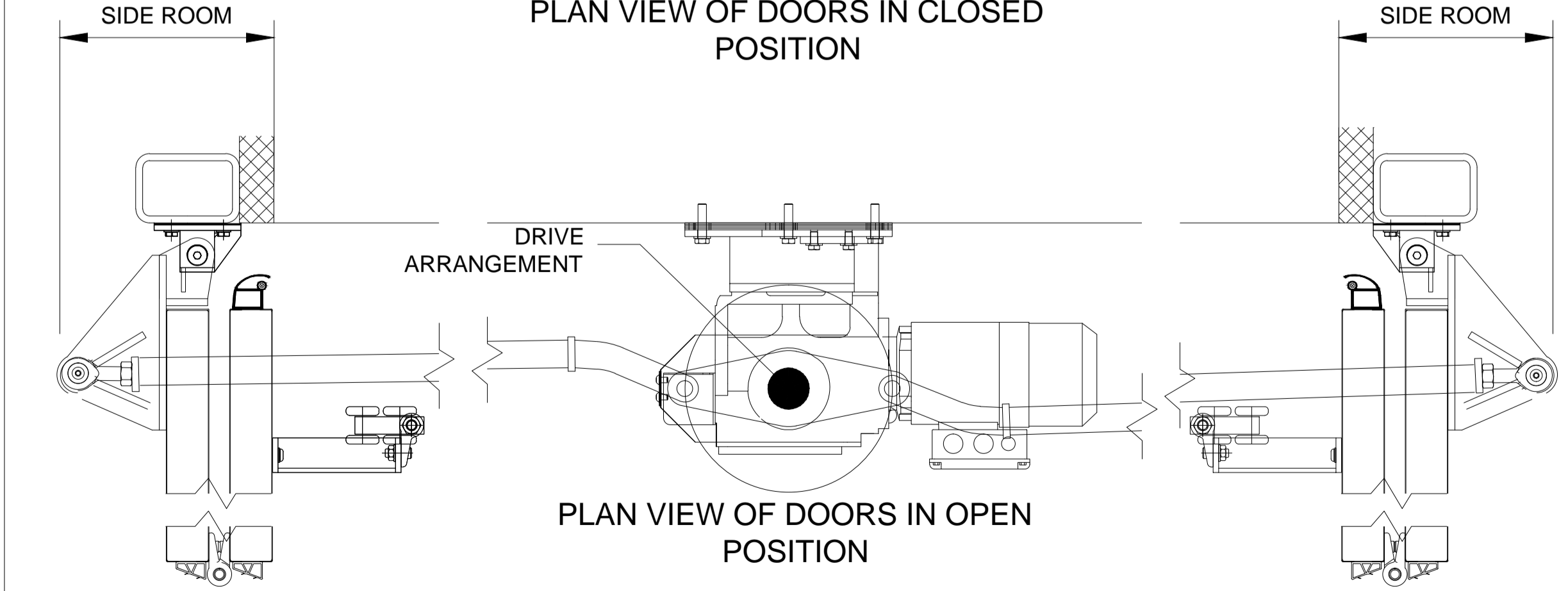
OPTION FOR LEVER OPERATED FLOOR BOLTS
OPTION FOR AUTOMATIC SOLENOID SHOOT BOLTS



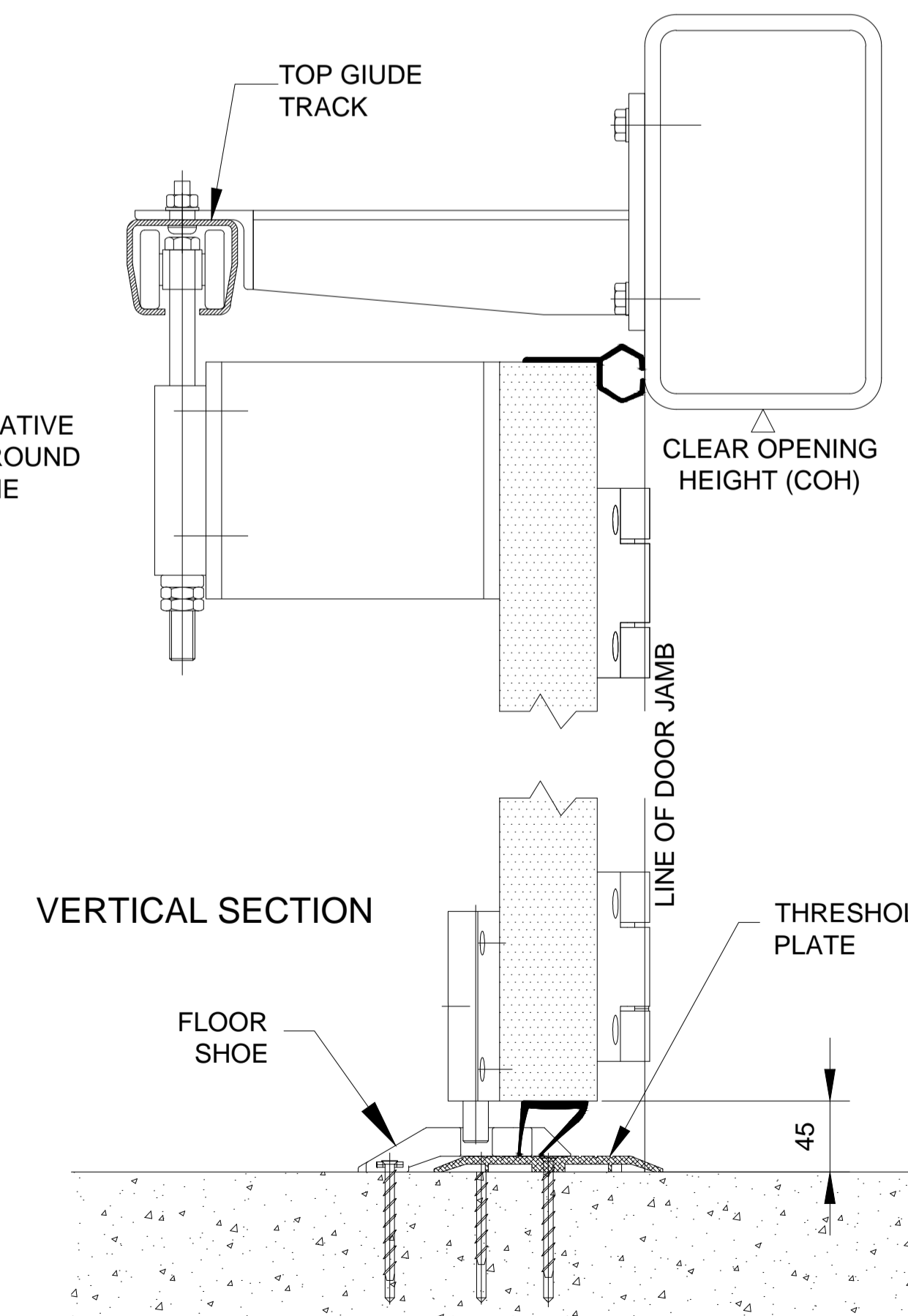
ELEVATION SHOWING INSIDE FACE OF DOOR FRAME



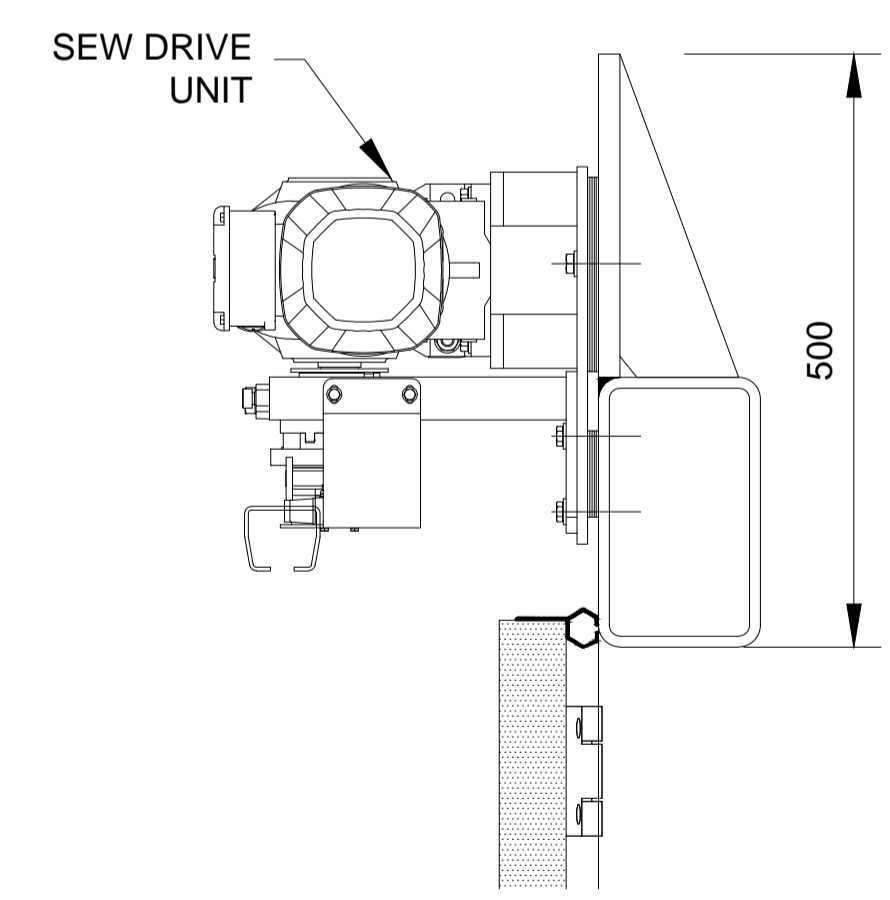
PLAN VIEW OF DOORS IN CLOSED POSITION



PLAN VIEW OF DOORS IN OPEN POSITION



VERTICAL SECTION



VERTICAL SECTION THROUGH DRIVE UNIT AND PLATE

MAX OPENING SIZES	
UP TO 5000mm WIDE	SUBJECT TO MAX 32.5m ² OPENING
UP TO 7000mm HIGH	

SWIFT-SEW, 2+2 LEAF, ELECTRICALLY OPERATED, BI-FOLDING DOOR