

**NOTES**

1. DOOR FRAME TO BE STEEL OF MIN 5mm THICKNESS TO ACCEPT M8 FIXING BOLTS, AND TAKE WEIGHT OF DOOR (approx 20kg/m<sup>2</sup>).
2. ALL INSIDE SURFACES OF THE FRAME TO BE MIN 150mm. HEADER AND JAMBS TO BE FLUSH AND FREE FROM ANY PROJECTIONS.
3. TOP TRACK IS ONLY USED AS GUIDE. THE DOOR IS SIDE-HUNG AND THE WEIGHT IS SUPPORTED AT THE JAMB HINGES.
4. THE FLOOR MUST BE LOWER THAN OR LEVEL WITH THE THRESHOLD IN THE FOLDING AREA MARKED \*\*\*\*\* TO ALLOW LEAVES TO OPEN EASILY.

NUMBER OF DOORS  LH (AS DRAWN)  RH

FINISH (specify material and colour)

EXTERNAL SKIN:

INTERNAL SKIN:

OPTIONS (please tick or indicate qty reqd)

- VISION PANELS - SEE GLAZING LAYOUT DRAWING
- 430x730 PMMA SNAPLOCK
  - 400x600 DGTG ALUMINIUM FRAME
  - 400x1200 DGTG ALUMINIUM FRAME
  - 600x600 DGTG ALUMINIUM FRAME
  - 600x1200 DGTG ALUMINIUM FRAME

WICKET DOOR (in panel 3 only)

- STANDARD LEVER HARDWARE
- EMERGENCY ESCAPE FURNITURE

LOCKING and HANDLES

- ESPAGNOLETTE BOLT BETWEEN LEAVES 1&2

ACTIVE LEAF HARDWARE

- DROP BOLT
- ESPAGNOLETTE BOLT

THRESHOLD PLATE

- NONE - (NOT RECOMMENDED)

SURROUND FRAME

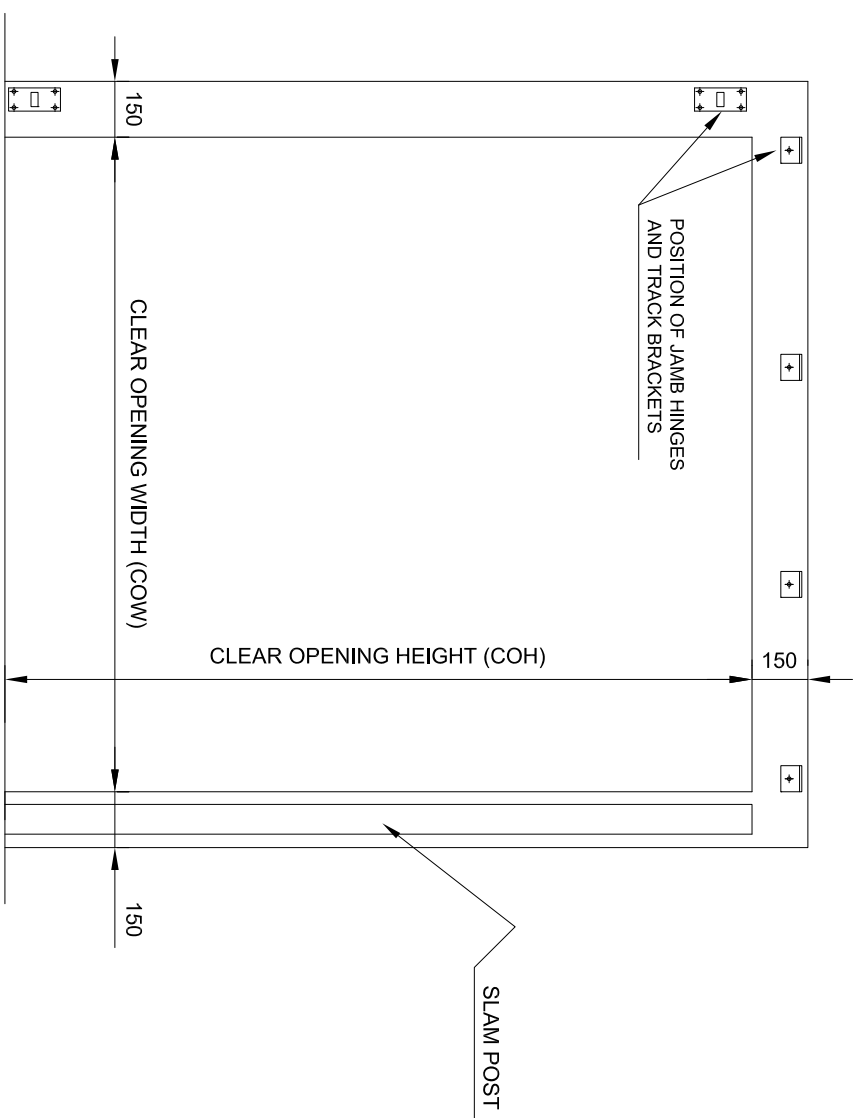
- 150 x 75 RSA REAR MOUNTED FRAME
- 200 x 100 RHS BETWEEN WALL FRAME
- OTHER - PLEASE SPECIFY

SITE DETAILS

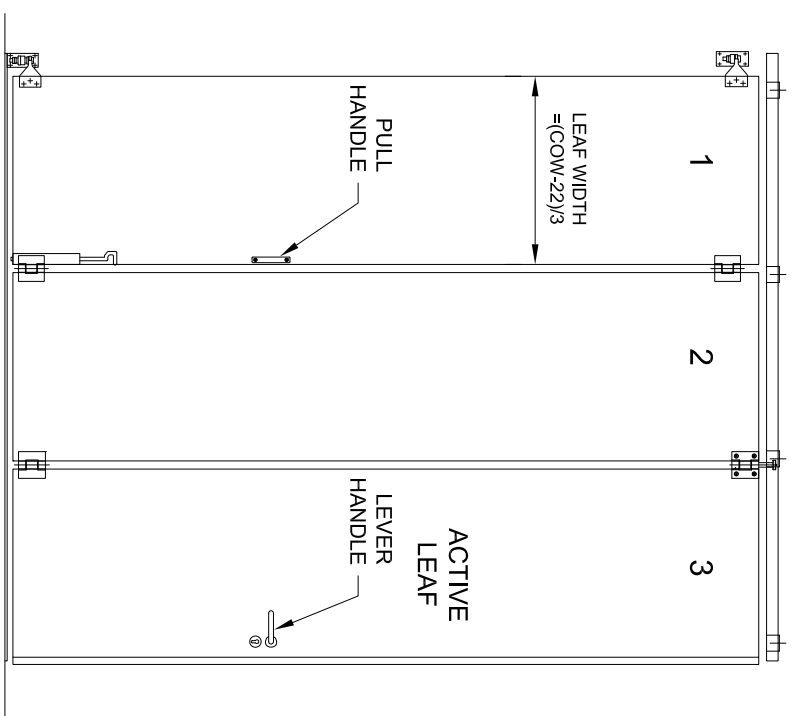
OPENING / DOOR REF.

DATE  DRAWN BY

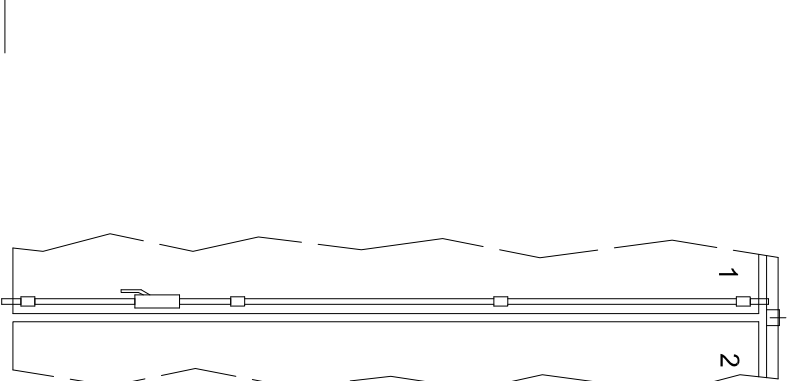
DRAWING No. SWT30M-5004



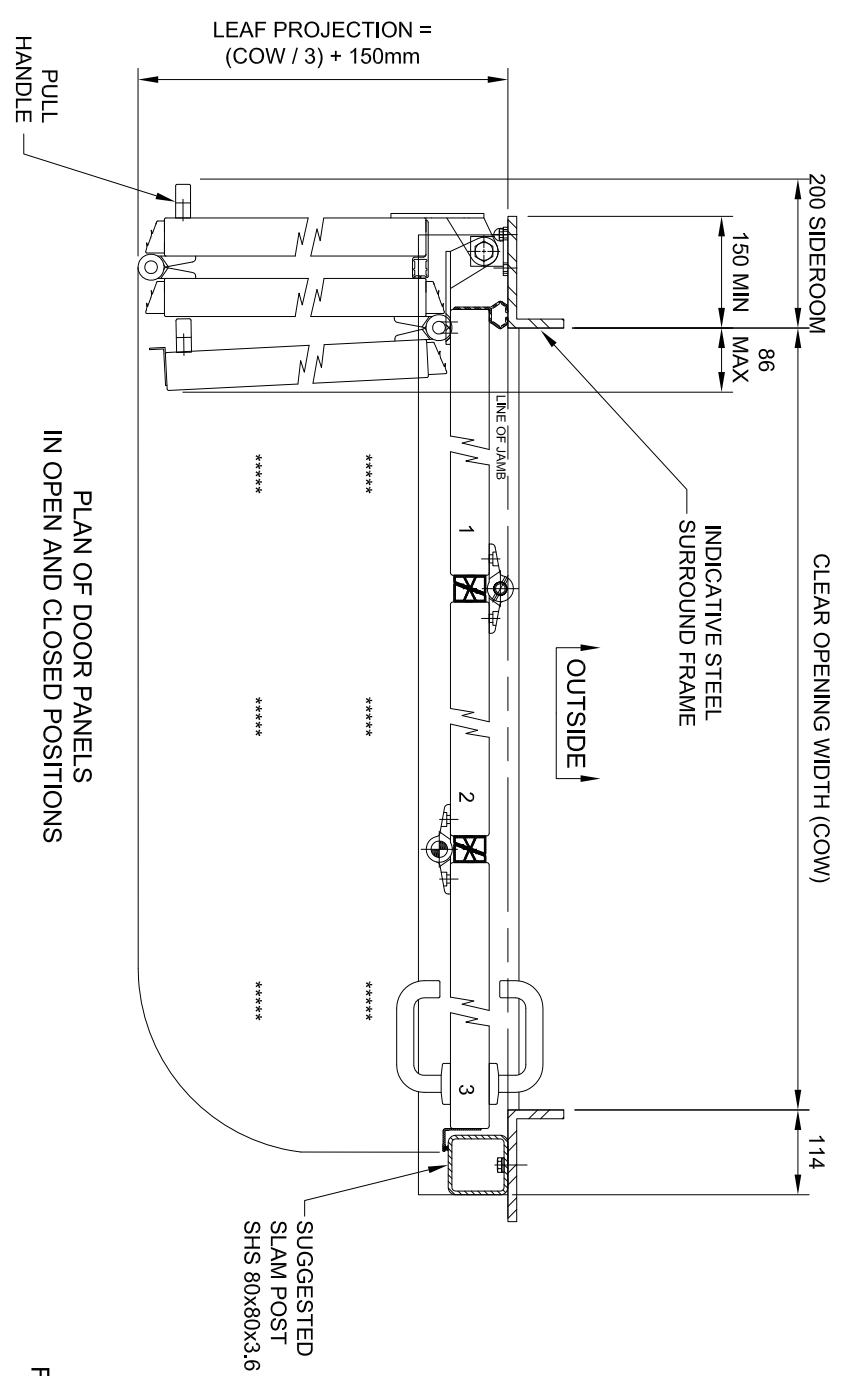
ELEVATION SHOWING INSIDE FACE OF STEEL DOOR FRAME



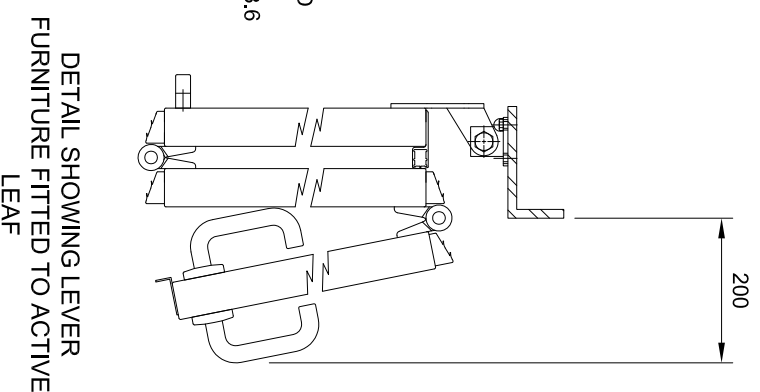
INTERNAL ELEVATION SHOWING STANDARD HARDWARE OPTIONS



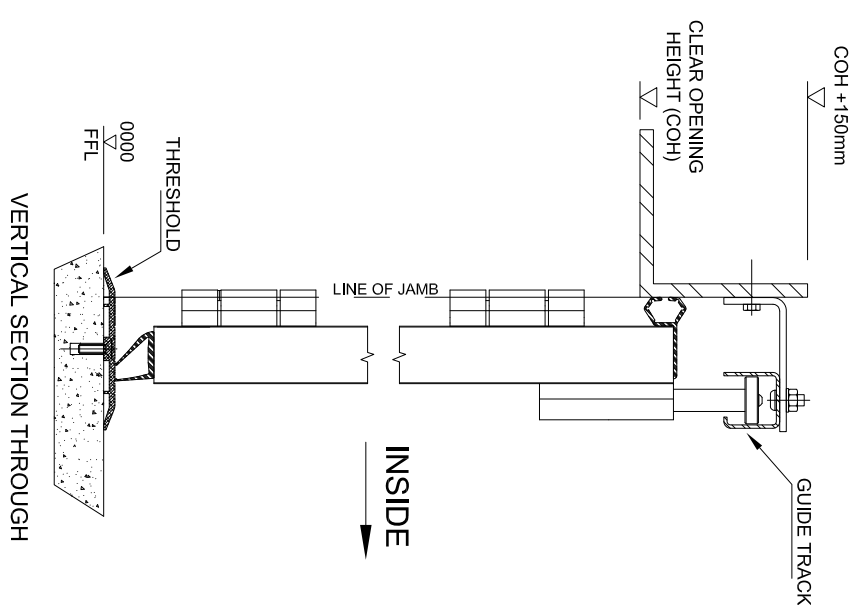
DETAIL SHOWING OPTION FOR ESPAGNOLETTE BOLT



PLAN OF DOOR PANELS IN OPEN AND CLOSED POSITIONS



DETAIL SHOWING LEVER FURNITURE FITTED TO ACTIVE LEAF



VERTICAL SECTION THROUGH

MAX OPENING SIZES		
UP TO 2850mm WIDE MAX 3000mm HIGH	UP TO 2700mm WIDE MAX 4000mm HIGH	UP TO 2550mm WIDE MAX 4800mm HIGH

**SWIFT 3+0 LEAF, MANUALLY OPERATED (SWT-M)**